

0.75in  
[1.91cm]



THIS DRAWING CONTAINS INFORMATION THAT IS PROPRIETARY TO ELKHART BRASS MFG CO., INC. AND MAY NOT BE USED TO PRODUCE ANY PARTS, ASSEMBLIES OR PRODUCTS DESCRIBED HEREIN WITHOUT EXPRESS WRITTEN PERMISSION

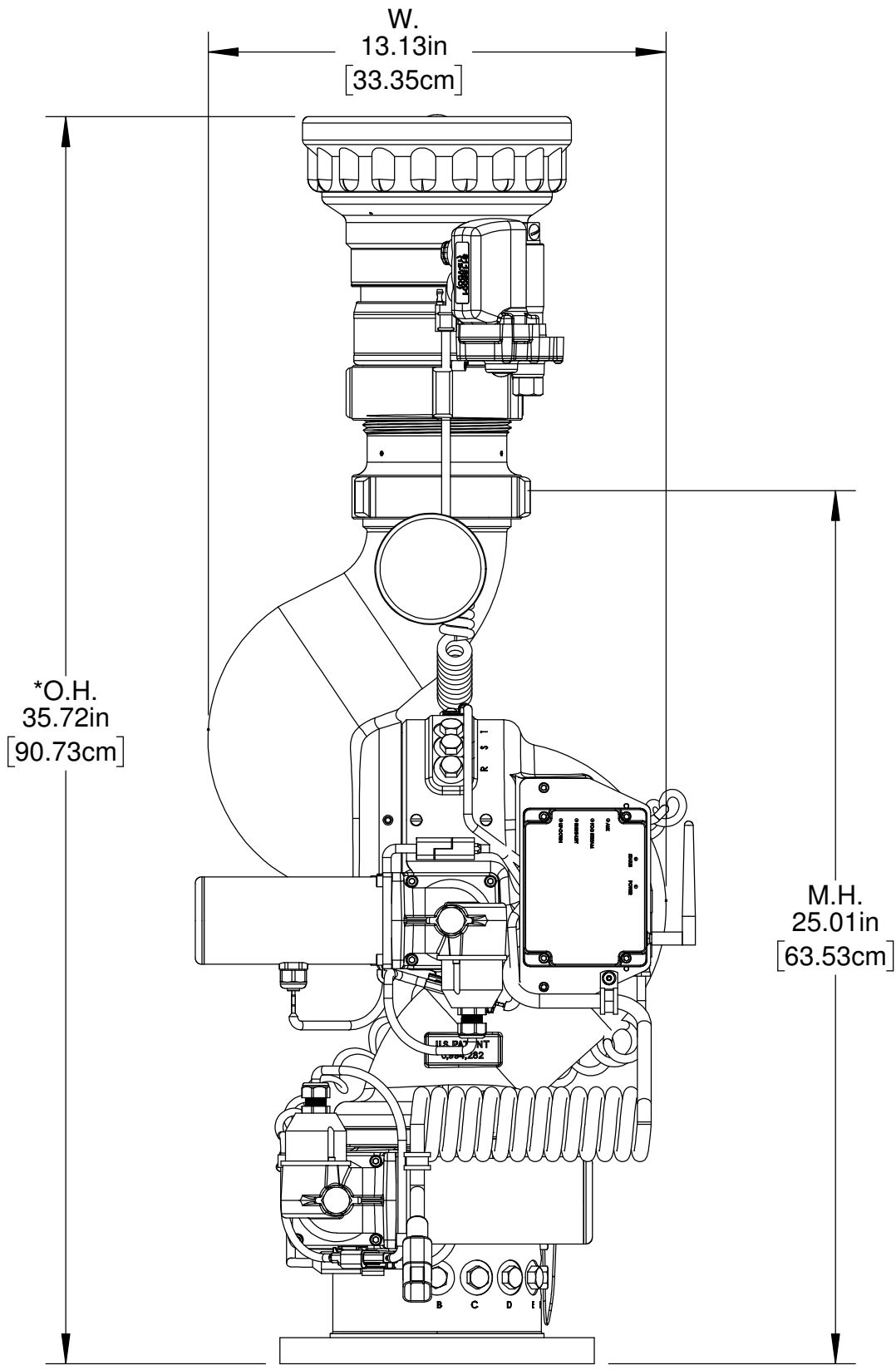
BOA 2000 (00007451) DIMENSIONAL

PAGE 1 OF 6

04/28/2017

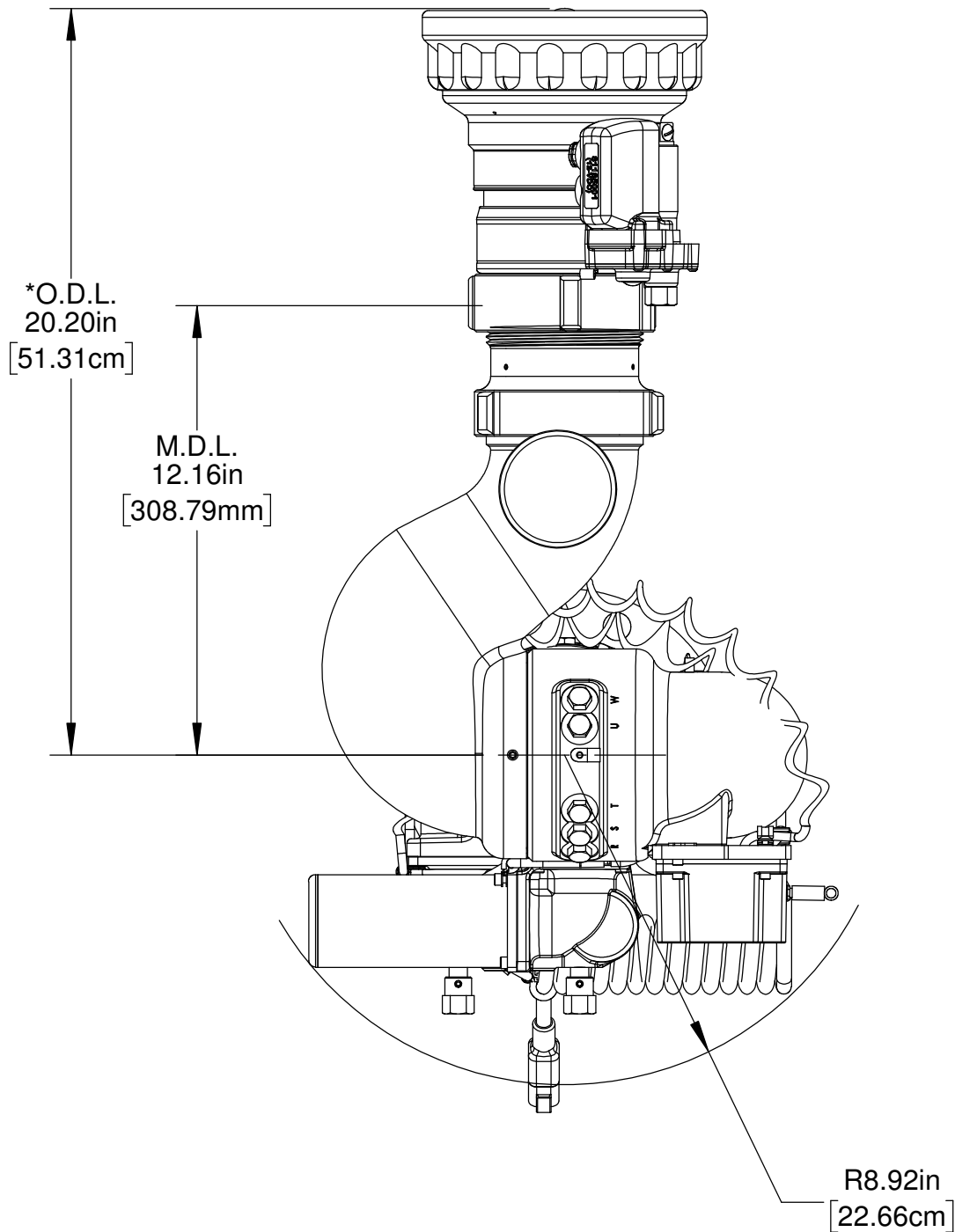
BASE  
DIMENSIONAL

Ver. 1.0



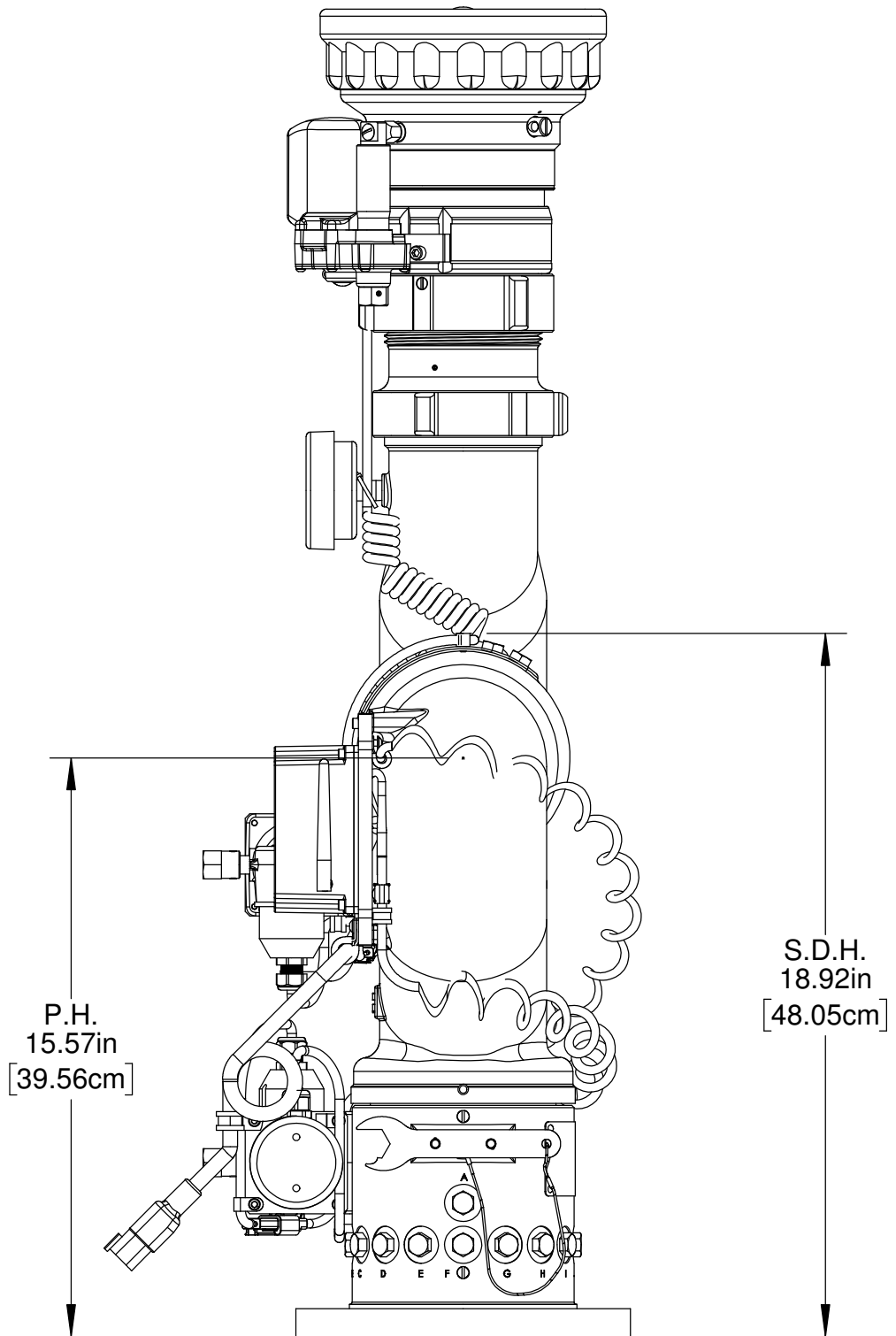
\*TYPICAL - SEE INDIVIDUAL NOZZLE DRAWINGS

 <b>ELKHART BRASS</b> Fire Fighting Equipment	
THIS DRAWING CONTAINS INFORMATION THAT IS PROPRIETARY TO ELKHART BRASS MFG CO., INC. AND MAY NOT BE USED TO PRODUCE ANY PARTS, ASSEMBLIES OR PRODUCTS DESCRIBED HEREIN WITHOUT EXPRESS WRITTEN PERMISSION	
BOA 2000 (00007451) DIMENSIONAL PAGE 2 OF 6 04/28/2017	BACK VIEW DIMENSIONAL



\*TYPICAL - SEE INDIVIDUAL NOZZLE DRAWINGS

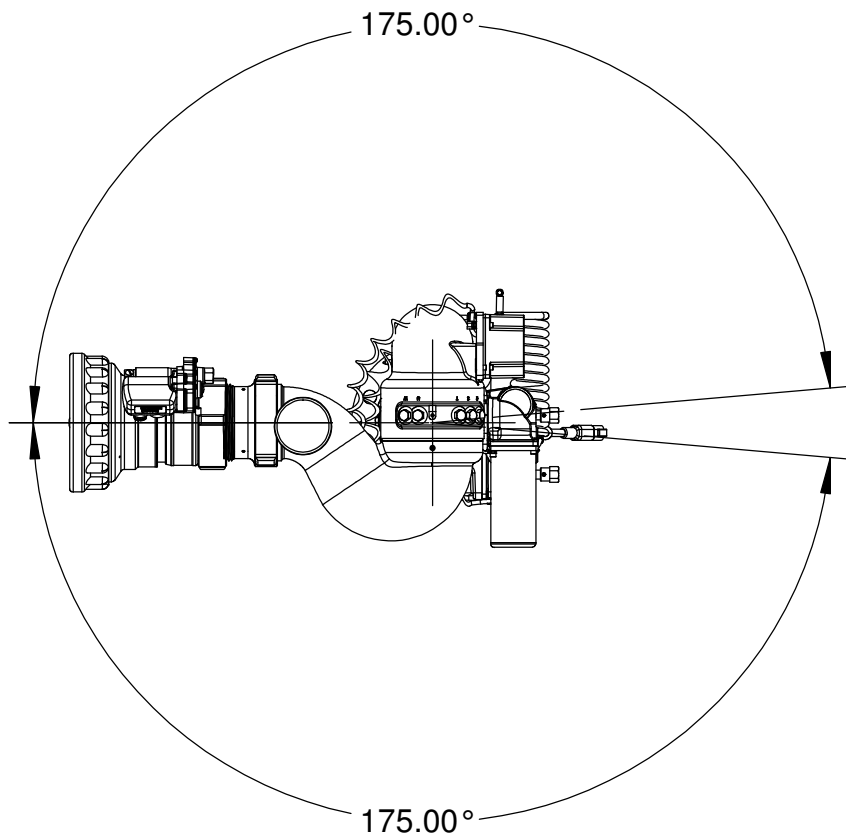
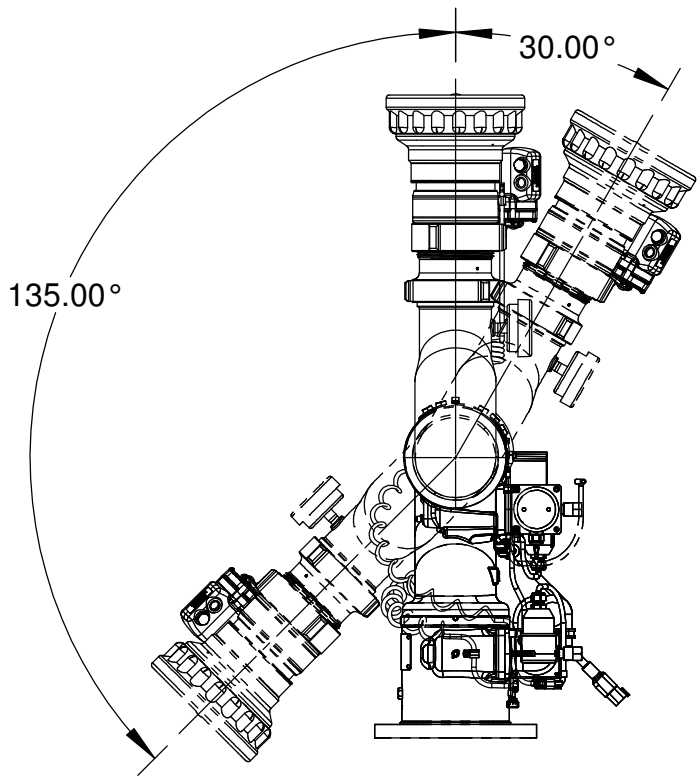
 <b>ELKHART BRASS</b> Fire Fighting Equipment	
<small>THIS DRAWING CONTAINS INFORMATION THAT IS PROPRIETARY TO ELKHART BRASS MFG CO., INC. AND MAY NOT BE USED TO PRODUCE ANY PARTS, ASSEMBLIES OR PRODUCTS DESCRIBED HEREIN WITHOUT EXPRESS WRITTEN PERMISSION</small>	
<small>BOA 2000 (00007451) DIMENSIONAL</small> <small>PAGE 3 OF 6</small> <small>04/28/2017</small>	<small>TOP VIEW</small> <small>DIMENSIONAL</small>



P.H.  
15.57in  
[39.56cm]

S.D.H.  
18.92in  
[48.05cm]


 <b>ELKHART BRASS</b> Fire Fighting Equipment	
<small>THIS DRAWING CONTAINS INFORMATION THAT IS PROPRIETARY TO ELKHART BRASS MFG CO., INC. AND MAY NOT BE USED TO PRODUCE ANY PARTS, ASSEMBLIES OR PRODUCTS DESCRIBED HEREIN WITHOUT EXPRESS WRITTEN PERMISSION</small>	
<small>BOA 2000 (00007451) DIMENSIONAL</small> <small>PAGE 4 OF 6</small> <small>04/28/2017</small>	<small>SIDE VIEW DIMENSIONAL</small>



 <b>ELKHART BRASS</b> Fire Fighting Equipment	
THIS DRAWING CONTAINS INFORMATION THAT IS PROPRIETARY TO ELKHART BRASS MFG CO., INC. AND MAY NOT BE USED TO PRODUCE ANY PARTS, ASSEMBLIES OR PRODUCTS DESCRIBED HEREIN WITHOUT EXPRESS WRITTEN PERMISSION	
BOA 2000 (00007451) DIMENSIONAL PAGE 5 OF 6 04/28/2017	RANGE OF MOTION

**DIMENSIONAL ABBREVIATION KEY\***

<b>ABBREVIATION</b>	<b>DESCRIPTION</b>
D.L.	DISCHARGE LENGTH
H.H.	HANDLE HEIGHT
H.S.R.	HANDLE SWING RADIUS
M.D.L.	MONITOR DISCHARGE LENGTH
M.H.	MONITOR HEIGHT
O.D.L.	OVERALL DISCHARGE LENGTH
O.H.	OVERALL HEIGHT
O.L.	OVERALL LENGTH
P.H.	PIVOT HEIGHT
P.R.	PIVOT RADIOUS
R.	RADIUS
S.D.H.	STOW DOWN HEIGHT
W.	WIDTH
<b>*NOT ALL ABBREVIATIONS WILL BE USED ON EVERY DRAWING</b>	

 <b>ELKHART BRASS</b> Fire Fighting Equipment	
<small>THIS DRAWING CONTAINS INFORMATION THAT IS PROPRIETARY TO ELKHART BRASS MFG CO., INC. AND MAY NOT BE USED TO PRODUCE ANY PARTS, ASSEMBLIES OR PRODUCTS DESCRIBED HEREIN WITHOUT EXPRESS WRITTEN PERMISSION</small>	
BOA 2000 (00007451) DIMENSIONAL PAGE 6 OF 6 04/28/2017	DIM DRAWING